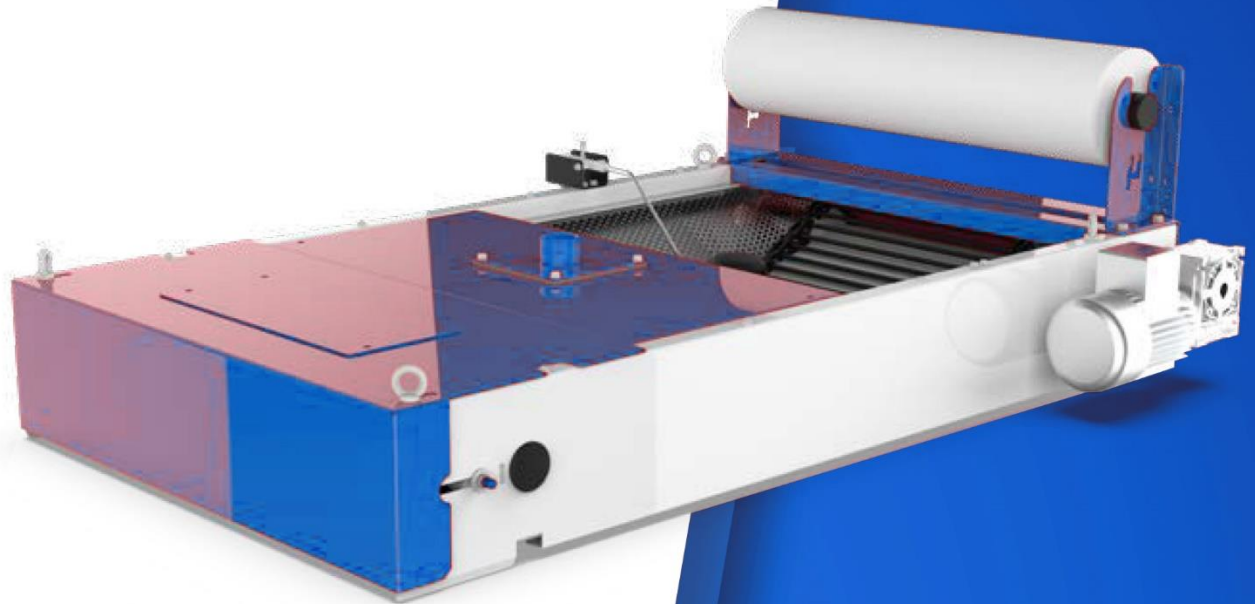


# FilClean™ IDXS

STAINLESS STEEL SELF INDEXING GRAVITY FILTERS



The simple and versatile solution for high solids filtering of waste water or other corrosive liquids.

## features

Filtration from 10 to 60 microns

Flow rate from 50 to 500 l/min. (10 to 132 gpm)

Can use a wide range of readily available filter medias

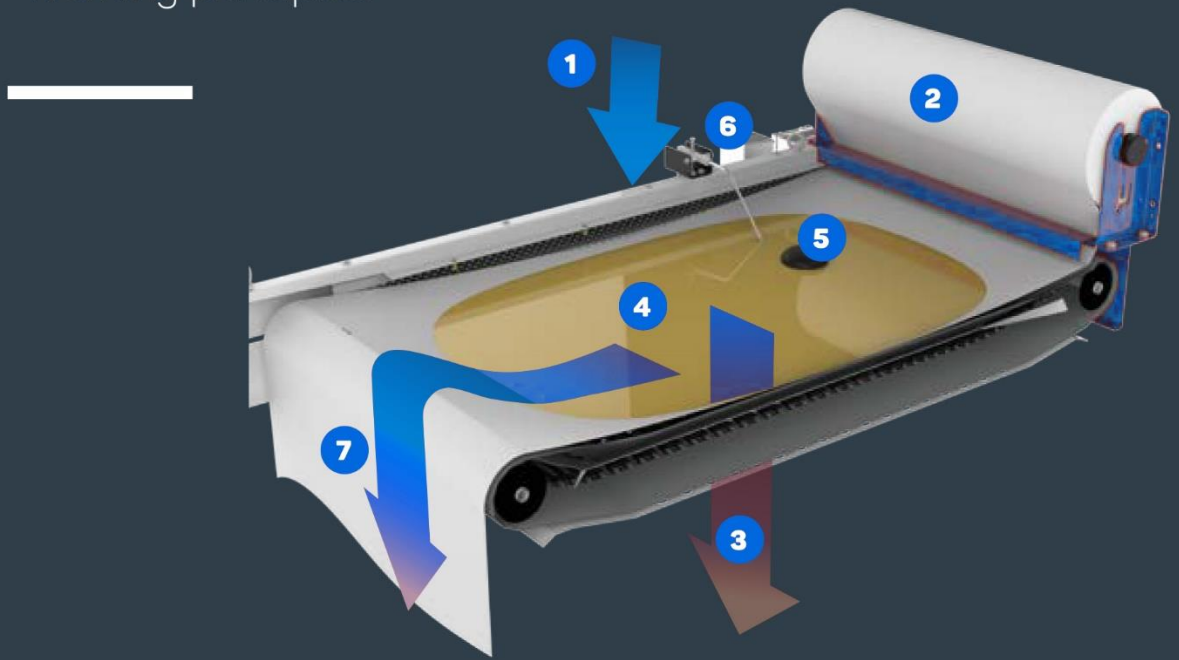
Easy to maintain

**MSC** FILTRATION  
TECHNOLOGIES

FILTRATION EQUIPMENT • PUMPS • SERVICE

198 Freshwater Blvd, Enfield CT 06082  
(860)-745-7475 Fax (860)-745-7477 Cell (860)-930-6205

## Working principles



The (1.) contaminated liquid is purified by passing through the (2.) filter fabric and drains by gravity (3.) into the clean containment tank to be pumped back to the machine tool by an electric pump. When the progressive accumulation of (4.) solids clog the (2.) filter media, and the liquid can no longer flow through the filter fabric, the liquid level rises together with the (5.) float activated micro switch. Once the float activated micro switch reaches a pre-set level the (6.) gear-motor will index the dirty filter media forwarding (7.).



## FILCLEAN IDXS USAGE

HIGH SOLIDS GRAVITY SELF CLEANING OF CORROSIVE LIQUIDS

- WASTE WATER
- CORROSIVE LIQUIDS
- QUENCH WATER
- ELECTROPLATING

## FilClean™ IDXS

The FilClean IDXS gravity bed filter is constructed of durable stainless steel for use with corrosive applications such as waste water, washer filtration, electro-plating or many other specialty applications. They are designed to provide filtration ratings of between 10 and 60 microns with flow rates of 10-132 gpm and are automatically self cleaning.

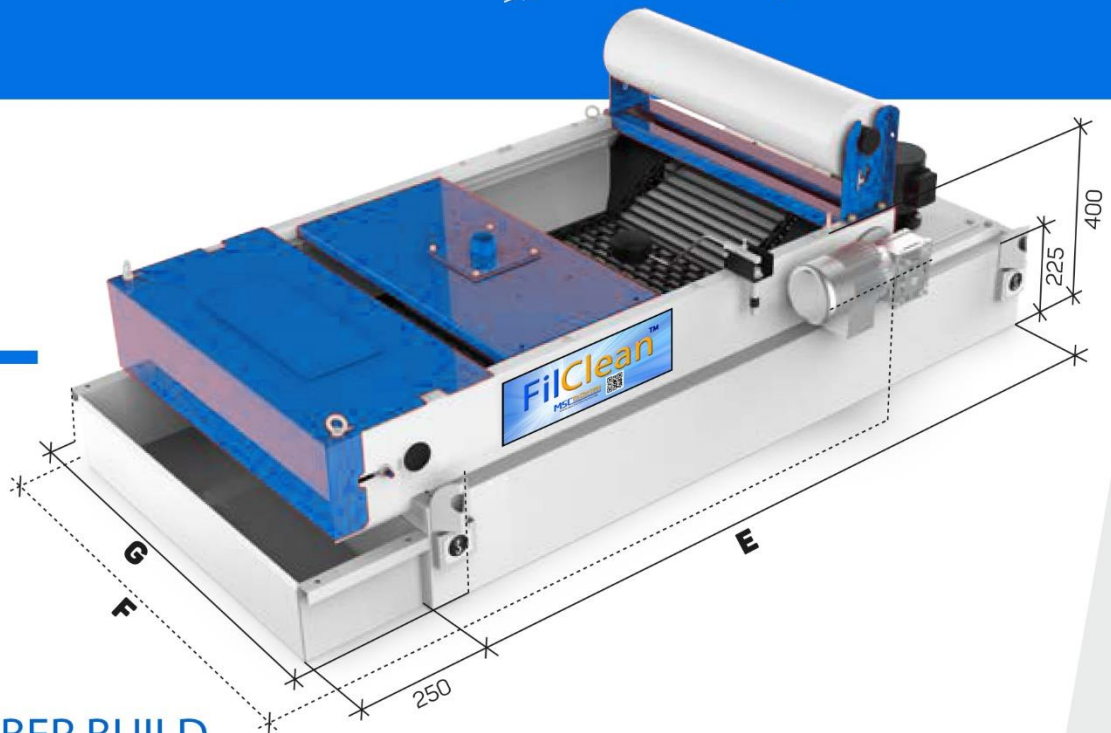
For non corrosive applications such as machine tool coolant and straight oil check out our standard carbon steel FilClean IDX.

# Filter main dimensions

Model	Emulsion Flow Rate (gpm)	Neat Oil Flow Rate (gpm)	A (inches)	B (inches)	C (inches)	D (inches)	Weight (lbs)
FC-IDXS 50	18	17	34.45	41.02	22.24	29.21	112.4
FC-IDXS 100	37	33	47.83	54.41	30.12	37.10	165.4
FC-IDXS 150	55	49	56.10	62.68	41.93	48.90	235.9
FC-IDXS 200	74	64	73.62	80.20	41.93	48.90	286.6
FC-IDXS 250	92	80	93.31	99.88	41.93	48.90	341.7
FC-IDXS 300	110	96	113	119.56	41.93	48.90	399
FC-IDXS 400	129	112	150.4	157	41.93	48.90	504.9



## Plan



## MODEL NUMBER BUILD

Model	E (inches)	F (inches)	G Tank Width (inches)	Pump Delivery (gal)	Pump Power (HP)	Tank Capacity (gal)	Pump Hydraulic Head (HP)	Gear-Motor Power (HP @ 50/60Hz)	Weight (lbs)
FC-IDXS 50	49.2	31.2	25.6	15	0.21	49	0.27	0.16	238.1
FC-IDXS 100	63	39.1	33.5	26	0.40	84	0.27	0.16	319.7
FC-IDXS 150	72.8	50.9	45.3	39	0.54	134	0.27	0.16	443.1
FC-IDXS 200	90.6	50.9	45.3	52	0.71	167	0.27	0.16	531.3
FC-IDXS 250	110.3	50.9	45.3	66	1.04	203	0.27	0.16	606.3
FC-IDXS 300	130	50.9	45.3	87	1.54	240	0.27	0.16	672.4
FC-IDXS 400	169.3	50.9	45.3	105	1.97	313	0.27	0.16	760.6

**MODEL #**    **P / NP**    **T / NT**    **2 / 4**  
 Model Number    P = With Pump    T = With Tank    2 = 230/3/60  
                          NP = Without Pump    NT = Without Tank    4 = 460/3/60

# FilClean™

MSC FILTRATION  
TECHNOLOGIES  
WWW.MSCFILTERTECH.COM



## BY:

**MSC FILTRATION  
TECHNOLOGIES**

FILTRATION EQUIPMENT • PUMPS • SERVICE

198 Freshwater Blvd, Enfield CT 06082  
(860)-745-7475 Fax (860)-745-7477 Cell (860)-930-6205

FC-IDXS-10272022-REV0KB